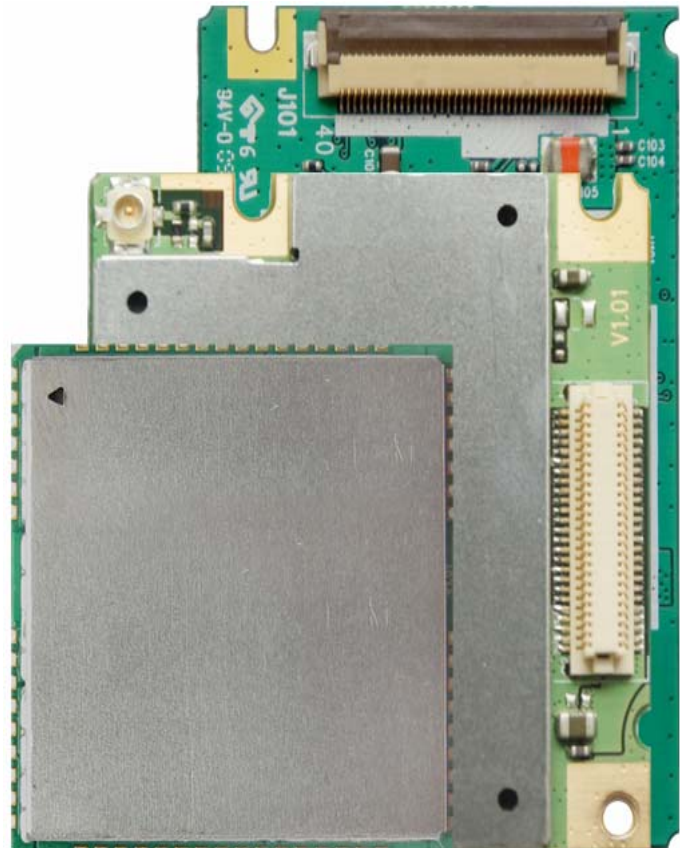




GSM Wireless Module

Upgrade Firmware

GSM_FW_Upgrade_AN01_V1.01



| | |
|----------------------------|---------------------------------------|
| Document Title | GSM Firmware Upgrade Application Note |
| Version | 1.01 |
| Date | 2010-02-25 |
| Status | Release |
| Document Control ID | GSM_FW_UPGRADE _AN01_V1.01 |

General Notes

Quectel offers this information as a service to its customers, to support application and engineering efforts that use the products designed by Quectel. The information provided is based upon requirements specifically provided for Quectel by the customers. Quectel has not undertaken any independent search for additional relevant information, including any information that may be in the customer's possession. Furthermore, system validation of this product designed by Quectel within a larger electronic system remains the responsibility of the customer or the customer's system integrator. All specifications supplied herein are subject to change.

Copyright

This document contains proprietary technical information which is the property of Quectel Limited, copying of this document and giving it to others and the using or communication of the contents thereof, are forbidden without express authority. Offenders are liable to the payment of damages. All rights reserved in the event of grant of a patent or the registration of a utility model or design. All specification supplied herein are subject to change without notice at any time.

Copyright © Quectel Wireless Solutions Co., Ltd. 2010

Contents

| | |
|-------------------------------------------|----|
| 0. Revision History | 5 |
| 1. Introduction..... | 6 |
| 1.1. Related Documents | 6 |
| 1.2. Terms and Abbreviations..... | 6 |
| 2. Recommended Design for Upgrade..... | 7 |
| 2.1. Schematic Design..... | 7 |
| 2.1.1. Direct Connection Application..... | 7 |
| 2.1.2. Common Application | 8 |
| 2.2. PCB Design..... | 11 |
| 2.2.1. Connector on the Shell..... | 11 |
| 2.2.2. Test Points on the PCB..... | 11 |
| 3. Application..... | 13 |
| 3.1. Assembly | 13 |
| 3.2. Firmware Upgrade..... | 14 |

Table Index

| | |
|--------------------------------------------------|---|
| TABLE 1: RELATED DOCUMENTS | 6 |
| TABLE 2: TERMS AND ABBREVIATIONS | 6 |
| TABLE 3: PIN DEFINITION OF FIRMWARE UPGRADE..... | 7 |
| TABLE 4: LOGIC LEVELS OF THE SERIAL PORT | 9 |

Figure Index

| | |
|----------------------------------------------------------------|----|
| FIGURE 1: DIRECT CONNECTION FOR FIRMWARE UPGRADE..... | 8 |
| FIGURE 2: BLOCKING TXD OF MCU BY INSERTING A 1KΩ RESISTOR..... | 8 |
| FIGURE 3: LEVEL SHIFT CIRCUIT WITH TRI-STATE LOGIC GATE..... | 9 |
| FIGURE 4: LEVEL SHIFT CIRCUIT WITH NPN TRANSISTOR..... | 10 |
| FIGURE 5: LEVEL SHIFT CIRCUIT WITH RESISTORS..... | 10 |
| FIGURE 6: ASSIGNMENT PHOTOS OF TEST POINTS..... | 11 |
| FIGURE 7: FOOTPRINT RECOMMENDATION OF TEST POINTS..... | 12 |
| FIGURE 8: PHYSICAL PHOTOS OF TEST POINTS..... | 12 |
| FIGURE 9: PHOTO OF THE UPGRADE FIXTURE..... | 13 |
| FIGURE 10: TERMINALS OF THE UPGRADE FIXTURE..... | 13 |
| FIGURE 11: ASSEMBLY DIAGRAM OF UPGRADE FIXTURE..... | 14 |

0. Revision History

| Revision | Date | Author | Description of change |
|----------|------------|-------------|--------------------------------------------------------------------------------------------|
| 1.00 | 2009-10-29 | Yong AN | Initial |
| 1.01 | 2010-02-25 | Tracy ZHANG | Add recommendation of resistance-distributing shift circuit between MCU TXD and module RXD |

1. Introduction

In application design, the firmware of GSM module might need to be upgraded due to certain reasons. Therefore, it is necessary to add redundancy design for firmware upgrade in the host board.

Quectel GSM modules can be upgraded through serial interface. This document offers reference circuits for firmware upgrade in host board.

1.1. Related Documents

Table 1: Related documents

| SN | Document name | Remark |
|-----|----------------------|------------------------------------------------------|
| [1] | Mxx_HD | Mxx hardware design document |
| [2] | GSM_UART_AN | The document of UART port application notes |
| [3] | Upgrade_FW_Tools_UGD | User guide of firmware upgrade tools |
| [4] | Mxx_EVB_UGD | The document of Mxx EVB user guide application notes |

1.2. Terms and Abbreviations

Table 2: Terms and abbreviations

| Abbreviation | Description |
|--------------|-------------------------------------------------------------------|
| DTE | Data Terminal Equipment (typically computer, external controller) |
| GSM | Global System for Mobile Communications |
| I/O | Input/Output |
| PC | Personal Computer |
| PCB | Print Circuit Board |
| UART | Universal Asynchronous Receiver & Transmitter |
| VIHmax | Maximum Input High Level Voltage Value |
| VIHmin | Minimum Input High Level Voltage Value |
| VILmax | Maximum Input Low Level Voltage Value |
| VILmin | Minimum Input Low Level Voltage Value |
| VOHmax | Maximum Output High Level Voltage Value |
| VOHmin | Minimum Output High Level Voltage Value |
| VOLmax | Maximum Output Low Level Voltage Value |
| VOLmin | Minimum Output Low Level Voltage Value |

2. Recommended Design for Upgrade

There are five pins involved in the firmware upgrade of module. They are VBAT, GND, PWRKEY, TXD and RXD.

Table 3: Pin definition of firmware upgrade

| Name | IO | Function |
|--------|----|-------------------------------------------------------------------|
| VBAT | I | Power supply for module if the host board can't power the module. |
| PWRKEY | I | Power on/off the module |
| RXD | I | Receive data |
| TXD | O | Transmit data |
| GND | | Ground |

2.1. Schematic Design

There are two serial ports in most models of Quectel modules. Only the serial port which provides AT command and GPRS transfer functions can be used for firmware upgrade. Two ways are recommended to design in customer's host board. One is to reserve a special connector on the shell, such as DB9, RJ11, or other interfaces. The other way is to reserve five test points following the recommended design of this document in host board. Quectel will provide specific fixture to connect these test points to PC for firmware upgrade.

2.1.1. Direct Connection Application

In this design, the serial port of GSM module does not communicate with serial port of other DTE, such as an external microcontroller. The TXD and RXD can be connected directly to the special IO connector or test points for firmware upgrade purpose. The reference circuit is shown in Figure 1.

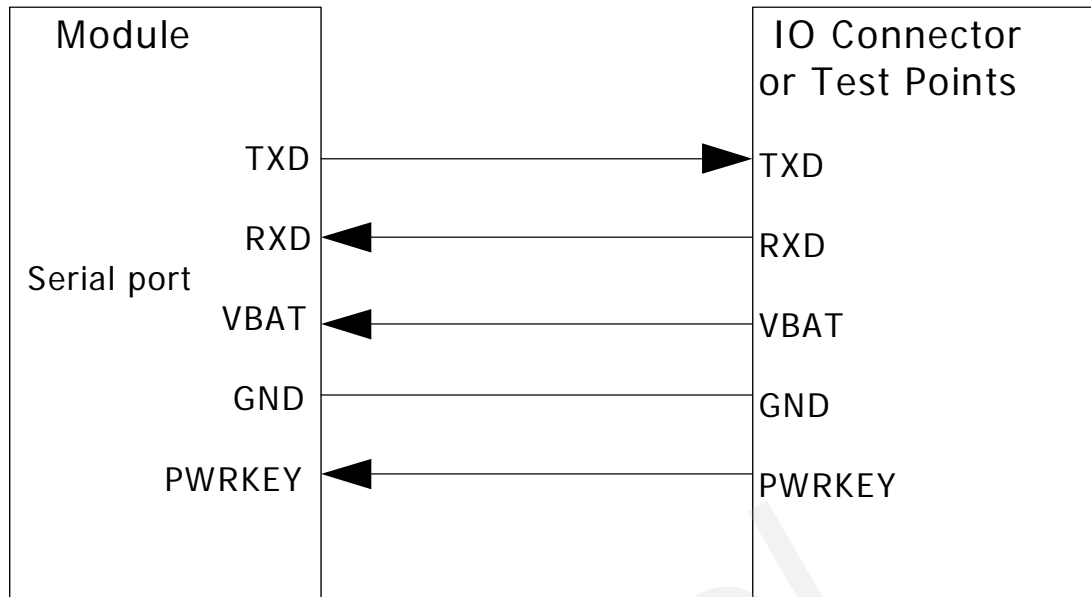


Figure 1: Direct connection for firmware upgrade

2.1.2. Common Application

In most applications, there is an external MCU controlling the module. In this case, a suitable resistor should be inserted between the TXD of the external MCU and the RXD of the module as shown in Figure 2. The resistor is used to block the signal of TXD in the external MCU when the firmware upgrade connection is established in the IO connector or the test points. The PWRKEY should be pulled down during firmware upgrade period. If the module to be upgraded can't be powered by the host board, an external power supply from the VBAT pin of the IO connector or the test points would be required.

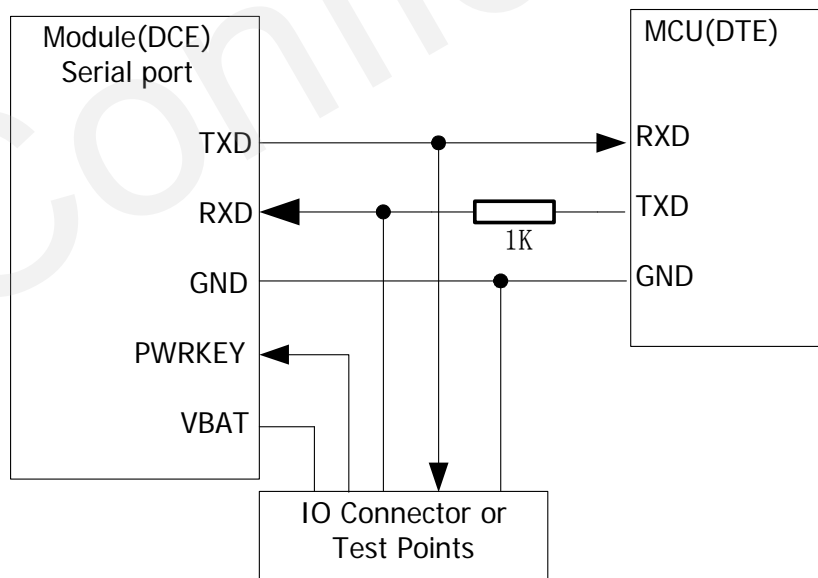


Figure 2: Blocking TXD of MCU by inserting a 1kΩ resistor

If the voltage levels of the serial port of external MCU don't meet the requirements in Table 4, a level shift circuit should be inserted between the GSM module and the external MCU. The reference circuit is shown in Figure 3 and Figure 4.

The voltage levels of the serial port are described in the Table 4.

Table 4: Logic levels of the serial port

| Parameter | Min | Max | Unit |
|-----------------|------|--------------|------|
| V _{IL} | 0 | 0.67 | V |
| V _{IH} | 1.67 | VDD_EXT +0.3 | V |
| V _{OL} | GND | 0.34 | V |
| V _{OH} | 2.0 | VDD_EXT | V |

Note: VDD_EXT is 2.8V.

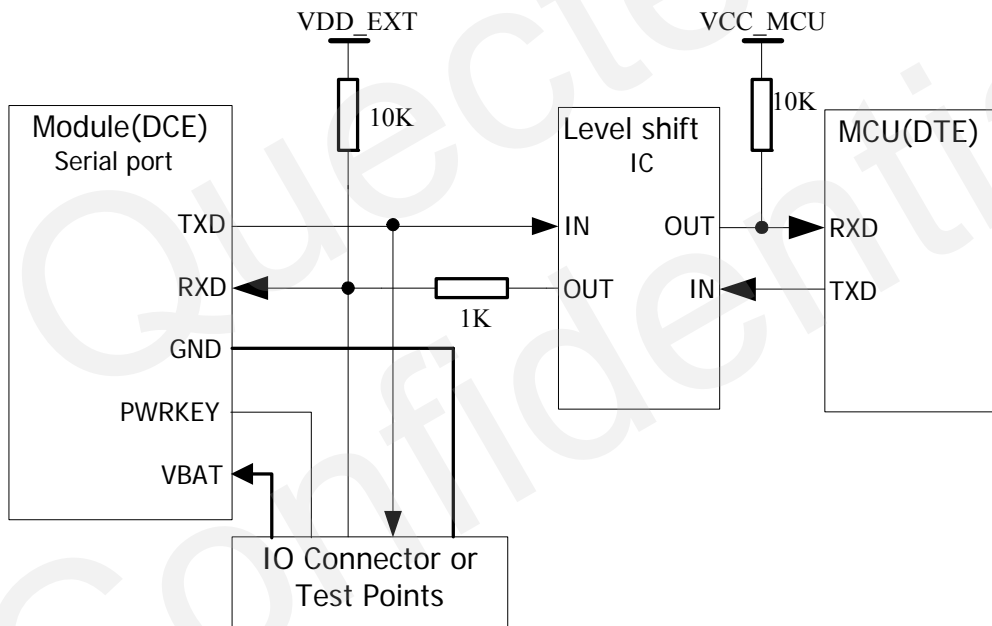


Figure 3: Level shift circuit with tri-state logic gate

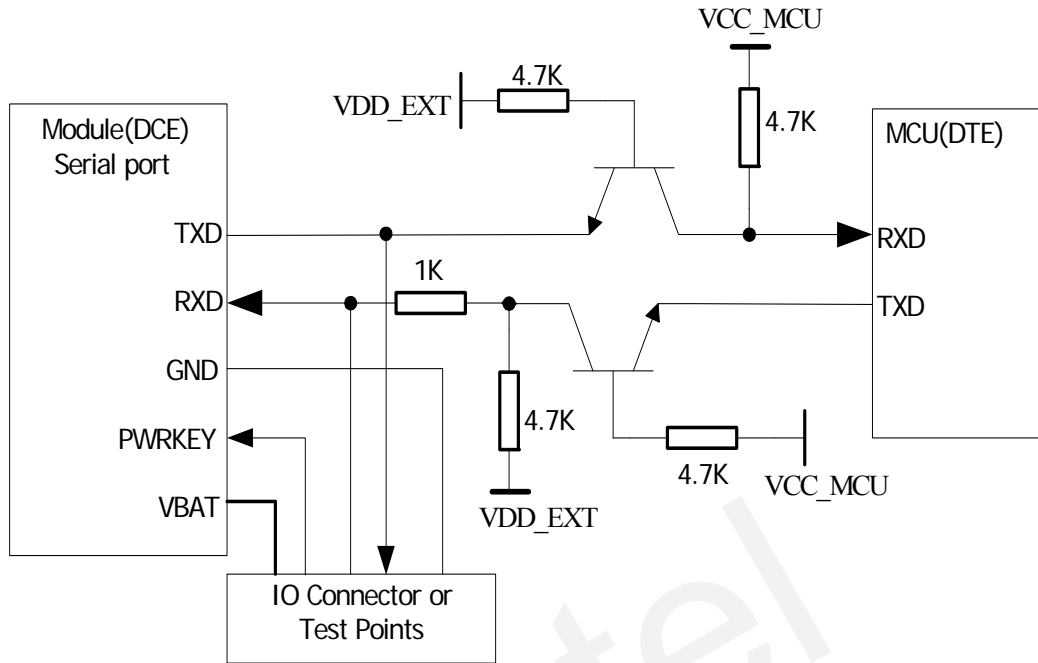


Figure 4: Level shift circuit with NPN transistor

Another simpler circuit for voltage level shift is shown in Figure 5. It is resistance voltage-distributing mode, which will cause additional current consumption ($V_{TXD}/(R1+R2)$) of system.

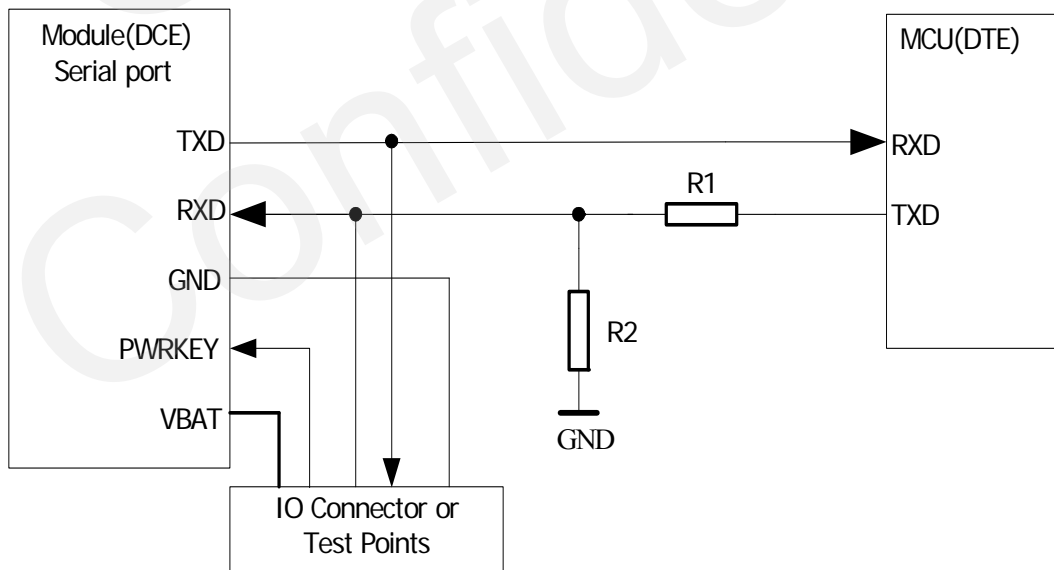


Figure 5: Level shift circuit with resistors

If the VCC_MCU is 3.3V, R1 is recommended to be 2KΩ, R2 is recommended to be 11KΩ.

If the VCC_MCU is 5V, R1 is recommended to be 2KΩ, R2 is recommended to be 2.7KΩ.

2.2. PCB Design

2.2.1. Connector on the Shell

According to the product shape and structure, customer can reserve a special IO connector on the shell, like RJ11 or DB9 connector, connecting the upgrade pins of module to the IO connector. The interface voltage levels between the module and the firmware upgrade fixture should match with each other. An RS232 level shift circuit must be inserted when connecting the IO connector to a COM port of PC. When a USB-to-UART cable is applied, the voltage levels of the UART interface should be checked.

2.2.2. Test Points on the PCB

The second method is to reserve 5 test points in host PCB and customer can implement the firmware upgrade through specific upgrade fixture provided by Quectel. The test points occupy an area of 17mm*6.6mm. The assignment and footprint required are shown in Figure 6 and Figure 7.

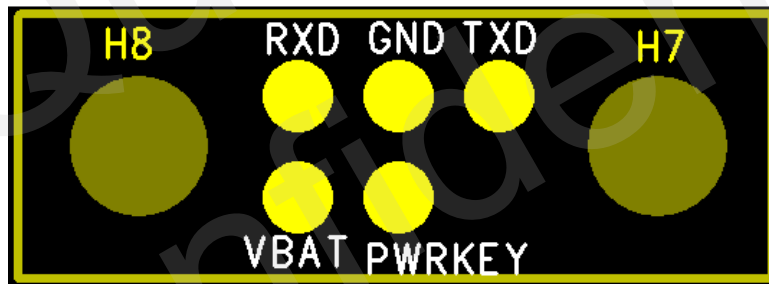


Figure 6: Assignment photos of test points

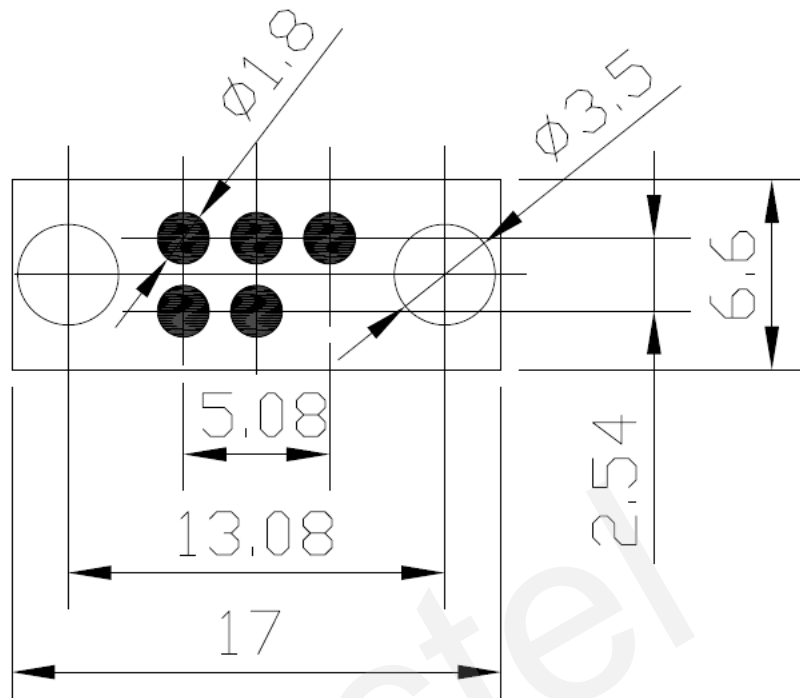


Figure 7: Footprint recommendation of test points



Figure 8: Physical photos of test points

In Figure 8, the RXD, TXD, VBAT, PWRKEY and GND test points are laid on top solder mask layer, while H7, H8 are two through holes which are used to fix upgrade fixture. The probes of the fixture will be contacted with these test points in the PCB. This customized upgrade fixture has been prepared by Quectel, as shown in Figure 9.

3. Application

3.1. Assembly

The customized upgrade fixture is shown in Figure 9.



Figure 9: Photo of the upgrade fixture



Figure 10: Terminals of the upgrade fixture

In Figure 10, the terminal of the USB interface is used to connect directly to PC, while the other terminal is to be connected to host board. The 2 Red and black lines are used to supply for the GSM module by external power source when the internal power supply is not available. The Red line is for VBAT, and the black line is for GND. The voltage must meet the range of VBAT

described in the hardware design documents.

Assembly diagram is shown in Figure 11.



Figure 11: Assembly diagram of upgrade fixture

3.2. Firmware Upgrade

When the upgrade hardware connection between PC and the module in host board is established, customer can do the firmware upgrade process for GSM module by using the firmware upgrade software tool and the module firmware from Quectel. For more details about the PC tool of software upgrade, please refer to document [3].

QUECTEL



Shanghai Quectel Wireless Solutions Co., Ltd.

Room 801, Building E, No.1618, Yishan Road, Shanghai, China 201103

Tel: +86 21 5108 2965

Mail: info@quectel.com